



**TARGET PINPOINTING  
INDICATION**

**ONE-PIECE AND  
LIGHTWEIGHT DESIGN**

[TOTAL WEIGHT  
ONLY 21 LBS]

**FULL-HEIGHT,  
360° DETECTION**

[HORIZONTAL  
AND VERTICAL]

**READY FOR  
IMMEDIATE USE**



**MSD**  <sup>TM</sup>

## HIGHLY PORTABLE **CELL PHONE, FERROUS WEAPON AND CONTRABAND DETECTOR**

- **Detection of all cell phones and ferrous contraband** concealed on the person or in body cavities [including **keyfob cell phones**] with or without batteries
- **Constant Sensitivity across the aperture in pass-through operations** [new *MSD EVO™* version]
- **Multi-Zone targeting indication** identifies location of contraband on the body
- Covert operation through use of Bluetooth headset [included]
- Fully weather proof for outdoor use [IP65 certified]
- 26 hours continuous use on embedded battery operation
- Unmatched detection in all environments without adjustment
- Extremely durable design
- No assembly required: 10 second set-up



[www.ceia-usa.com](http://www.ceia-usa.com)

 Contract Holder

*Threat Detection through Electromagnetics*



**The illegal use of cell phones is a growing and dangerous problem in correctional institutions worldwide.** These devices are a significant threat to prison security and circumvent the monitoring processes in prisons, while helping inmates commit new crimes both inside and outside the facility.

**CEIA MSD was specifically designed to detect all cell phones and ferrous contraband** concealed on the person or in body cavities [including key fob cell phones, smart phones, radio transceivers, etc.] quickly and easily.

The one-piece design allows the CEIA MSD **to be easily transported and operational in 10 seconds.**

### BENEFITS

- Detection of magnets and ferromagnetic metals
- Full-height, 360° detection [horizontal & vertical]
- 5 individual zones for pinpointing locations of contraband on the body
- Covert operation through use of Bluetooth headset [included]
- Fully weather proof for outdoor use
- 24 hours typical / 26 hours max. of continuous battery operation with 4.5 hours charge
- One-piece and lightweight design [total weight only 21 lbs with batteries included] easily transportable by one person
- Unmatched detection in all environments without adjustment
- Extremely durable design using stainless steel and high impact reinforced plastics
- Anti-tip suction cups for securing to smooth floor surfaces [included]
- Non-emitting device: safe for use for pace-makers and other medical implants
- Throughput: 60+ people per minute [based on uninterrupted flow, separately alarms resolution]



### CARRYING CASE FOR PERSONAL TRANSPORT AND STORAGE

- Heavy-duty lightweight carry system
- Custom fit to the MSD shape
- Dedicated pocket for accessories
- Space-saving
- Included parts:
  - MSD Magneto Static Detector unit
  - Installation kit: 4 rubber feet, 6 mm allen key, Test sample
  - External AC/DC battery charger adapter
  - Carrying case
  - Bluetooth headset





### NEW MSD EVO™ VERSION

Even though the MSD is typically used as a stand-alone single pole, the **new MSD EVO Pass-through configuration** defines now the possibility to operate on a transit width **up to 51" with constant detection sensitivity from pole to pole.**

Moreover, **this new uniform solution allows** the reliable screening of in-mates transiting through a corridor, the surveillance of large transit openings and an extremely accurate investigation of mattresses and other objects that could hide contraband.

### MSD EVO™ PASS-THROUGH CONFIGURATION



The MSD EVO pass-through configuration operates on a transit width up to 51" with constant detection sensitivity from pole to pole.



Accurate investigation of mattresses and other objects that could hide contraband.

### BRIGHT MULTI-COLOR STATUS INDICATOR



#### GREEN LIGHT

Normal operation, no detection.

#### YELLOW LIGHT

Warning proportional indication: target detection under the alarm threshold.

#### RED LIGHT

Alarm proportional indication: target detection over the alarm threshold.

#### BLUE LIGHT

Connecting Bluetooth device in progress.

### COVERT ALARM SIGNALING VIA BLUETOOTH HEADSET



Warning indication for signal under the alarm threshold, with fixed or proportional pitch

Match each single MSD unit or MSD EVO pass-through gate

Alarm indication for signal over the alarm threshold, with fixed or proportional pitch

Warning and alarm indications adjustable in continuous/pulsed tone and volume

Low battery: double beep

Self-diagnosis alert: intermittent tone



## MSD SPECIFICATIONS

### CONTROLS AND INDICATORS

ON/OFF push-button	
4-key keypad, for programming and status readout	
Security	<ul style="list-style-type: none"> <li>• Programming Access protected by User and Super User password</li> </ul>
Power indicator	<ul style="list-style-type: none"> <li>• White lamp</li> </ul>
Alarm indicator	<ul style="list-style-type: none"> <li>• Green light: normal operation, no detection</li> <li>• Red light: target detection over the alarm threshold / Fault indication</li> <li>• Blue light: connecting Bluetooth device in progress</li> </ul>
Graphic display	<ul style="list-style-type: none"> <li>• Messages during use, programming and self-diagnosis alerts</li> </ul>
Multi-color status indicator	<ul style="list-style-type: none"> <li>• Green light: normal operation, no detection</li> <li>• Yellow light: proportional target detection under the alarm threshold</li> <li>• Red light:               <ul style="list-style-type: none"> <li>- Continuous light: target detection over the alarm threshold</li> <li>- 5 different zone indication</li> <li>- Blinking light: fault</li> </ul> </li> <li>• Blue light: connecting Bluetooth device in progress</li> </ul>
Alarm Sounder	<ul style="list-style-type: none"> <li>• Alarm indication for target over the alarm threshold, with fixed or proportional pitch</li> <li>• Warning and alarm indications adjustable in continuous/pulsed tone and volume</li> <li>• Battery low: double beep</li> <li>• Self-diagnosis alert: intermittent tone</li> </ul>
Bluetooth headset	<ul style="list-style-type: none"> <li>• Warning indication for target under the alarm threshold, with fixed or proportional pitch</li> <li>• Alarm indication for target over the alarm threshold, with fixed or proportional pitch</li> <li>• Warning and alarm indications adjustable in continuous/pulsed tone and volume</li> <li>• Battery low: double beep</li> <li>• Diagnosis: intermittent tone</li> </ul>

POWER SUPPLY	AC/DC external power adapter	100 ... 240 V~ , 47...63Hz, 40W
	Embedded rechargeable battery	16h typical / 17h max. of continuous operation with 3 h battery charge 24h typical / 26h max. of continuous operation with 4.5 h battery charge

DETECTOR ENVIRONMENTAL CONDITIONS	Working temperature	14 to 149°F
	Storage temperature	-35 to 158°F
	Relative humidity	0 to 95%, non-condensing

WEIGHT	• MSD: 21 lbs	• AC/DC adapter: 1.6 lbs	• Bluetooth kit: 0.5 lbs (includes battery charger)
	• Carrying case: 1.5 lbs	• Installation kit: 0.6 lbs	

MSD DIMENSIONS	Height: 75"	Width: 13"
----------------	-------------	------------

SHIPPING INFORMATION	Dimensions (WxDxH)	16" x 79" x 19"
	Weight	53 lbs

DETECTOR DEGREE OF PROTECTION	Fully weather proof for outdoor use (IP65)
-------------------------------	--

AVAILABLE ACCESSORIES	Additional Bluetooth headset: ordering code 70628 (one Bluetooth headset included)
	MSD-RRU Remote Relay Unit: ordering code MSD-RRU
	Wall mounting kit: ordering code 67258

CERTIFICATION AND COMPLIANCE	Non-emitting device: safe for use for pace-makers and other medical implants
	Compliant and certified to the applicable electromagnetic Standards on Human Exposure and pacemaker safety
	Compliant with and certified to the applicable International Standards for electrical safety and EMC

### PASS-BY OPERATION



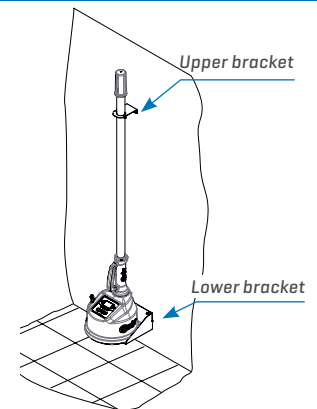
### PASS-THROUGH OPERATION



### HORIZONTAL OPERATION



### WALL MOUNTING KIT



CEIA USA Ltd - 9155 Dutton Drive, Twinsburg OH - 44087 USA  
 Phone: 330-405 3190 • Fax: 330-405 3196 • E-mail: security@ceia-usa.com • Call (833) 224-2342 [CEIA]

www.ceia-usa.com

CEIA USA reserves the right to make changes, at any moment and without notice, to the models, their accessories and options, to the prices and conditions of sale. DP220k0001v7000uUS